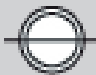









To shut off aggressive gases and liquids safely and reliably we offer various ball valves from 2 to 11 ways – manual, with electrical or pneumatic part-turn actuator.

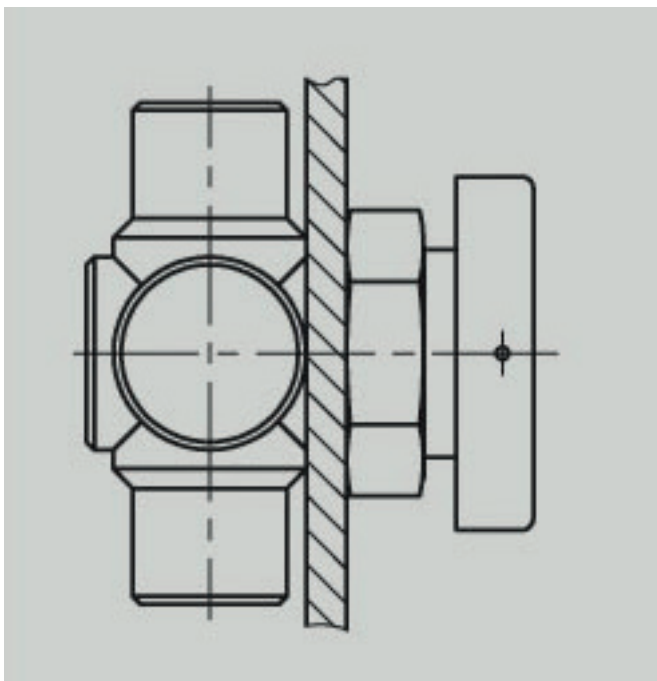
Getting Started with Ball Valves

Type	Version			Thread	Actuator
2-Way Ball Valves	 6L701F 6L801F			G Thread NPT Thread	MP
3-Way Ball Valves	 6L702F* 6L802F*	 6L732F 6L832F	 6L733F 6L833F	G Thread NPT Thread	MP
4-Way Ball Valves	 6L741F 6L841F	 6L744F 6L844F		G Thread NPT thread	MP
5-Way Ball Valves	 6L750F* 6L850F*			G Thread NPT Thread	M
7-Way Ball Valves	 6A770F			G Thread	M

Type	Version			Thread	Actuator
9-Way Ball Valves	 6A790F			G Thread	M
9-Way Ball Valves	 6A711F			G Thread	M

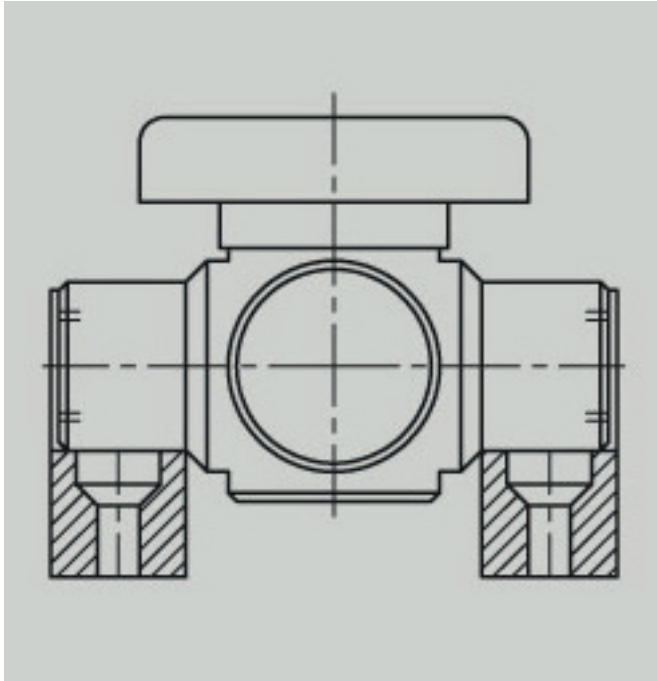
* not as 1/2"-design
M = Manual (6L, 6A), P = Pneumatic (6D)

Fastening Systems



Panel Mounting

Ball valves for panel mounting are delivered with male thread on top and loose nut. This makes it fast and easy to assemble them.

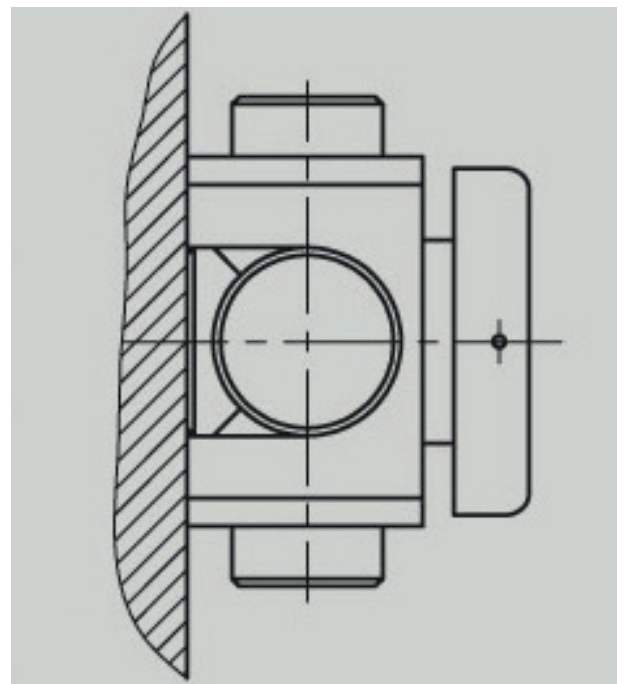


Fastening Claws

These are the ideal fastening option for ball valve with part-turn actuator and are automatically included with delivery. Fastening claws can be used in addition to wall mounting.

Fastening Clamps

Fastening clamps are used for wall mounting exclusively. They are easy to work with and provide quick assembly.

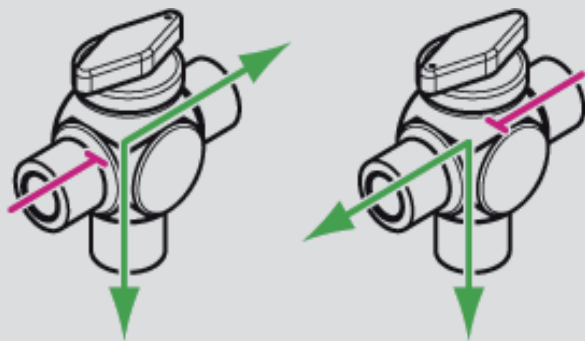


Switching Diagrams for Ball Valves

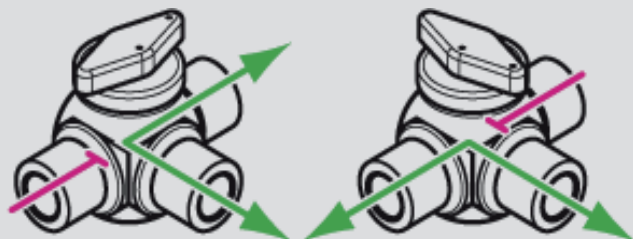
6L701 - 2-way with through bore



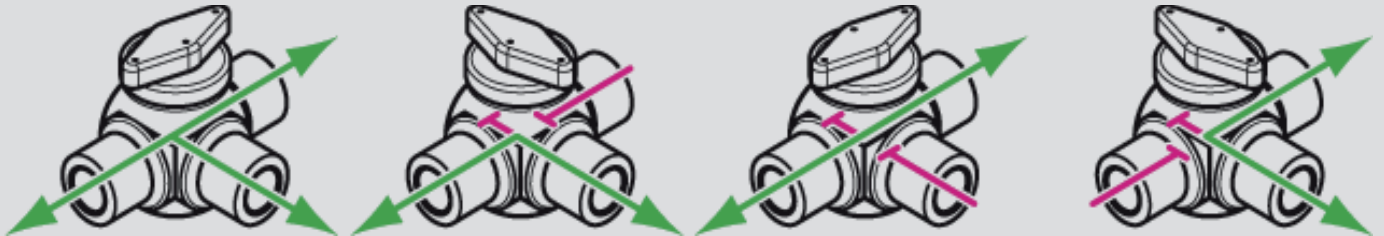
6L702F - 3-way with angled bore, vertical



6L732F - 3-way with angled bore, horizontal



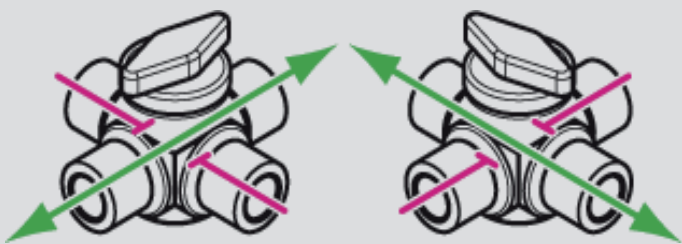
6L733F - 3-way with T bore, horizontal



6L744F - 4-way with double L bore



6L741F - 4-way with through bore



6L750F - 5-way with angled bore

